

# Flat Packed Kabin

instruction manual



## Basic Components

### Floor:

1 x Chassis

### Parts:

4 x Corner Posts

4 x Corner Post Inners

Full Size Panels :

2 m Unit : 6 Pc(s)

3 m Unit : 9 Pc(s)

4 m Unit : 12 Pc(s)

Joining Strips :

2 m Unit : 7 Pc(s)

3 m Unit : 10 Pc(s)

4 m Unit : 13 Pc(s)

1 x Window Panel

1 x Door Panel

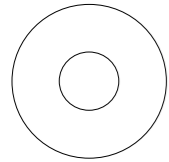
4 x Half Panels

1 x Roof Cap

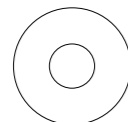
4 x Retention Bars

4 x Lifting Eyes

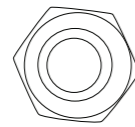
### Fixings:



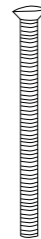
M12 washer:  
32 Pc(s)



M8 washer:  
8 Pc(s)



M8 Nut:  
4 Pc(s)



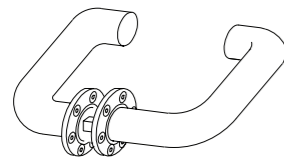
M5x45 Bolt:  
2 Pc(s)



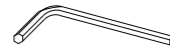
M8x20 Bolt:  
4 Pc(s)



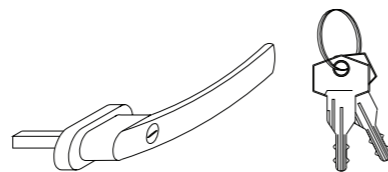
M12x25 Bolt:  
32 Pc(s)



Door Handle:  
1 Set



Hex Wrench  
1 Pc(s)



PVC Window Handle with Key  
1 Set



M4 Special Nut  
2 Pc(s)



M4 Special Bolt:  
2 Pc(s)

## The tools that you will need.

13mm Spanner

19mm Spanner

13mm Socket Set

19mm Socket set

Spirit - level

3 people

### Notes for assembly:

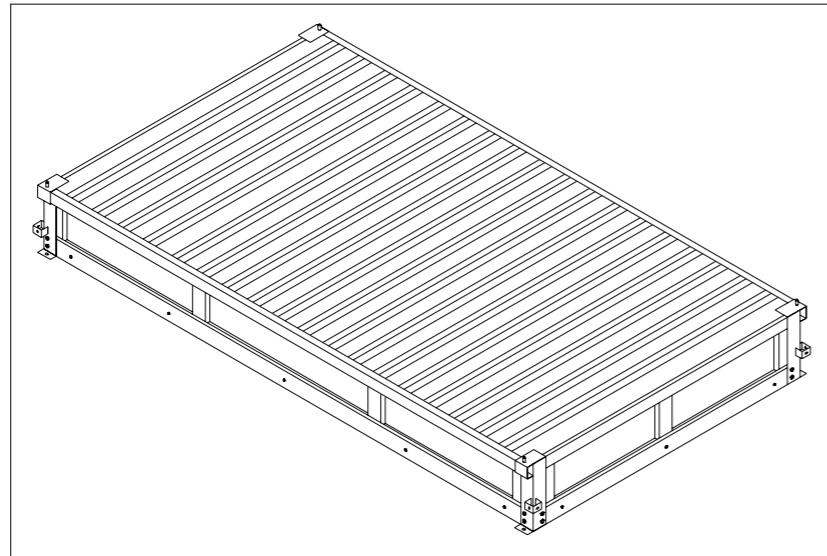
1. For the best results, assemble the Kabin on level ground so as to avoid bending of the chassis and complications with the aligning of the panels.
2. On initial assembly, only hand-tighten all nuts and bolts, when assembly is complete tighten all nuts and bolts with your socket spanner.
4. Retain all parts if demounting.

### Notes after assembly:

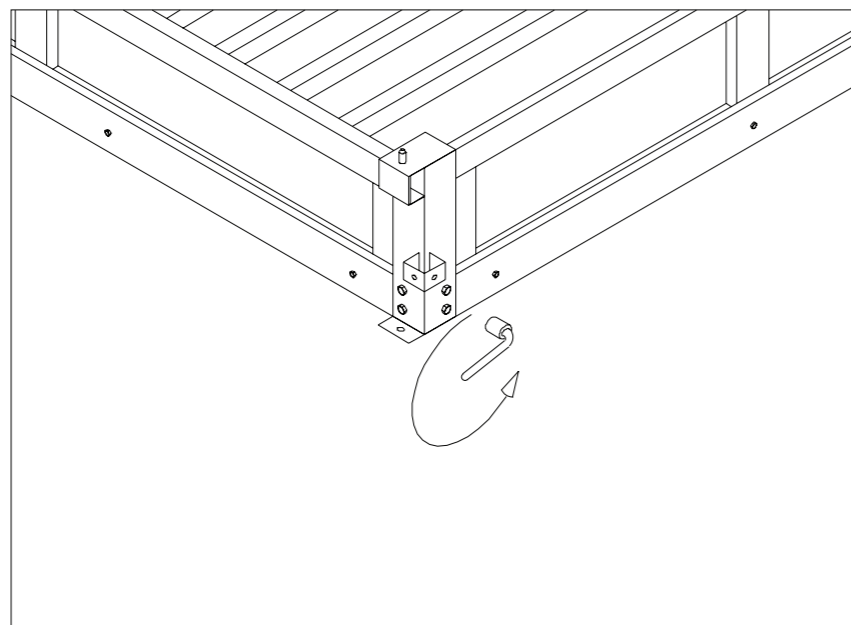
1. You can return the Kabin back to it's original flat pack form at any time.
2. This Kabin is not designed to be stacked when it is assembled.
3. You can lift your Kabin by crane or forklift.

# 1. Unpacking

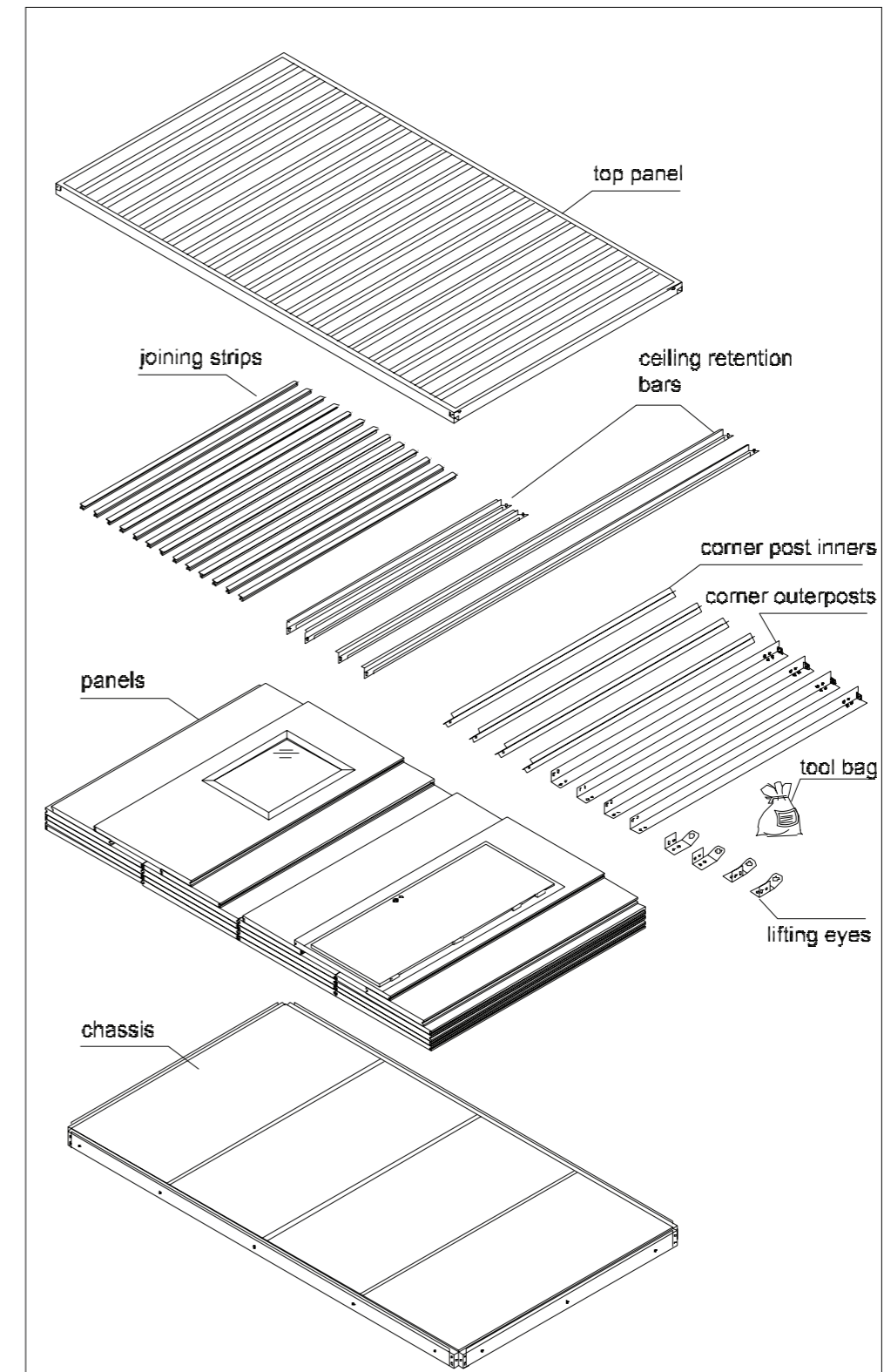
a. Your Kabin arrives flat-packed.  
Position the flat pack unit in the place that you wish to assemble it, or un pack the contents and then position the chassis in your preferred site.



b. Undo and remove the 4 lifting points using your 19mm spanner (retain these for future use incase you want to return your Kabin to its original flat-pack form).



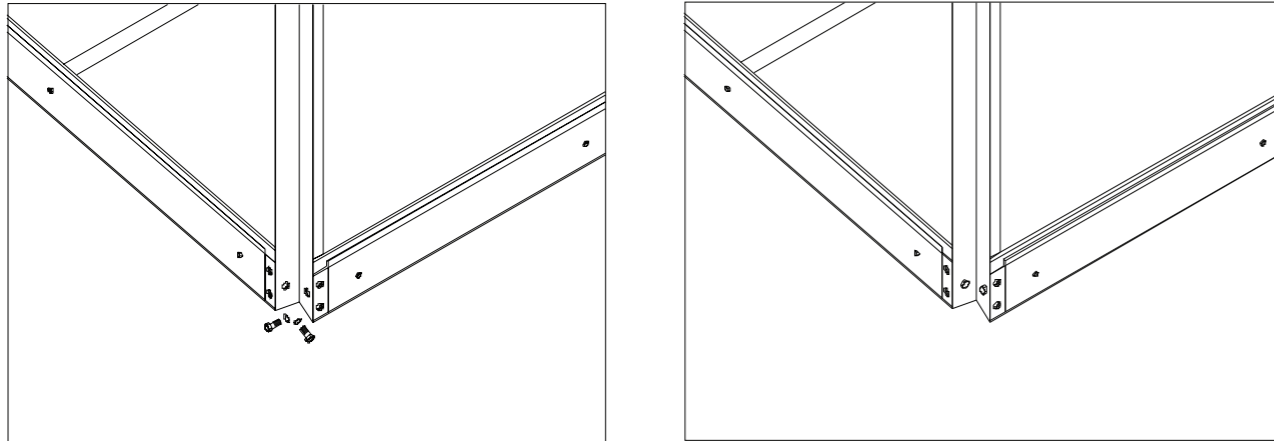
c. Unpack all of the contents and place aside all of the panels ready for use. Remove all of the packaging materials (Retain them for future use if you want to demount the Kabin)



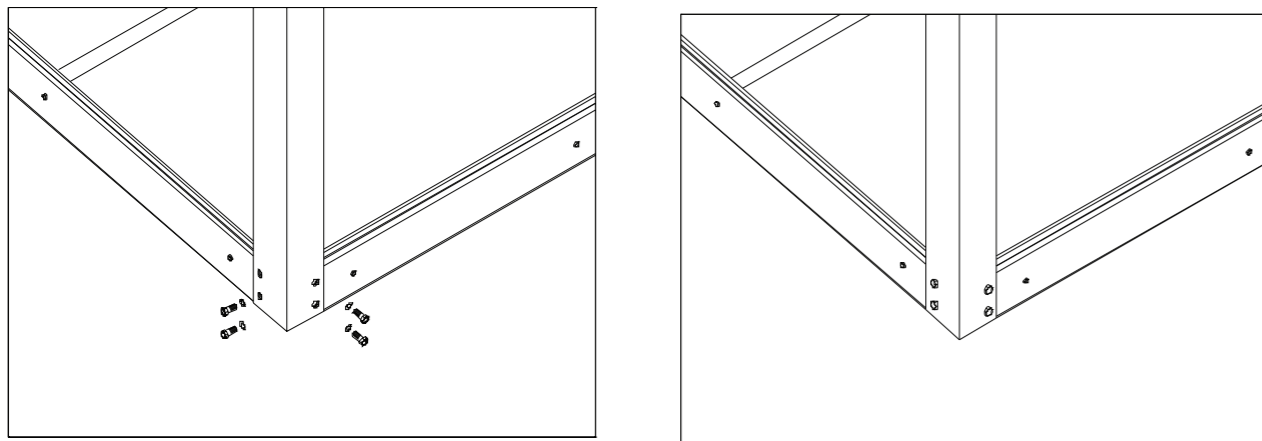
d. Site the chassis where you want to assemble the Kabin, check that the floor is level with a spirit-level, this is crucial for the smooth assembly of the unit.

## 2. Corner Post and Wall Assembly

a. Attach the corner post inners and tighten.

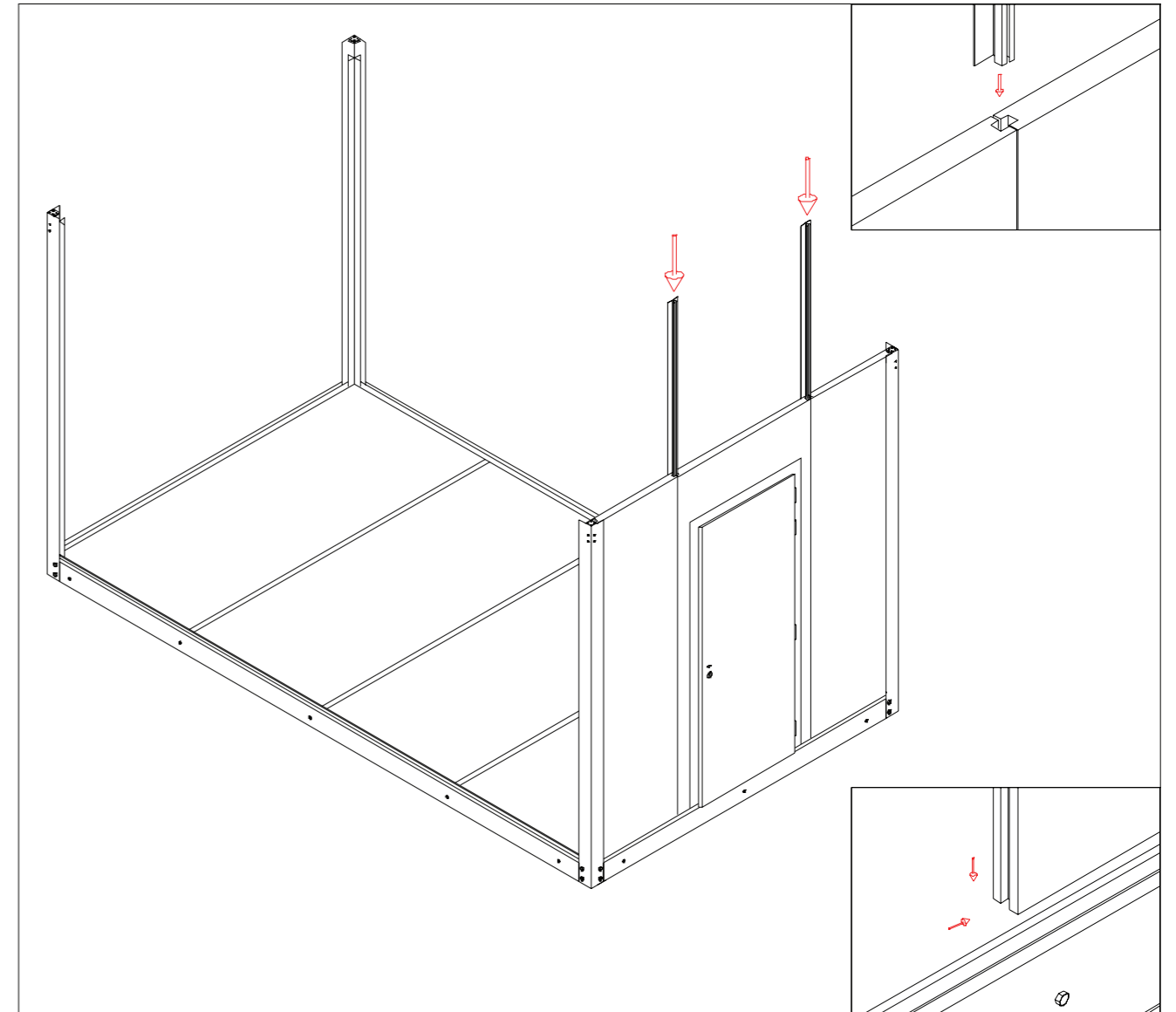


b. Align and fit the 4 corner outerposts, using the self tapping bolts, 4 for each corner.



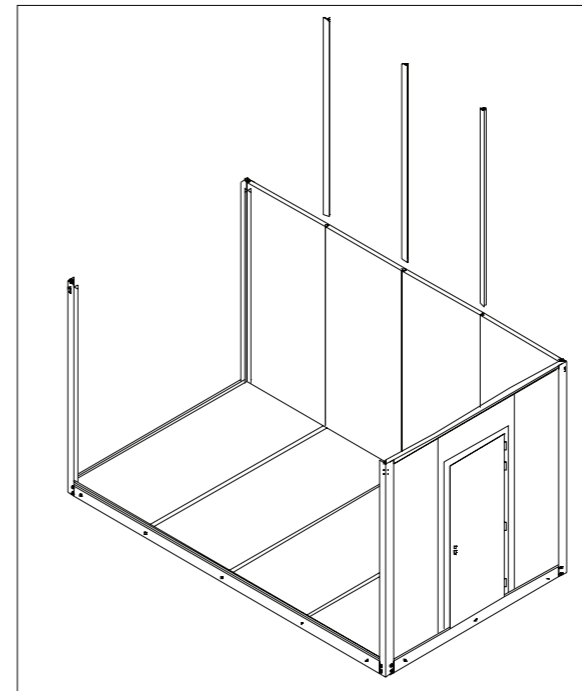
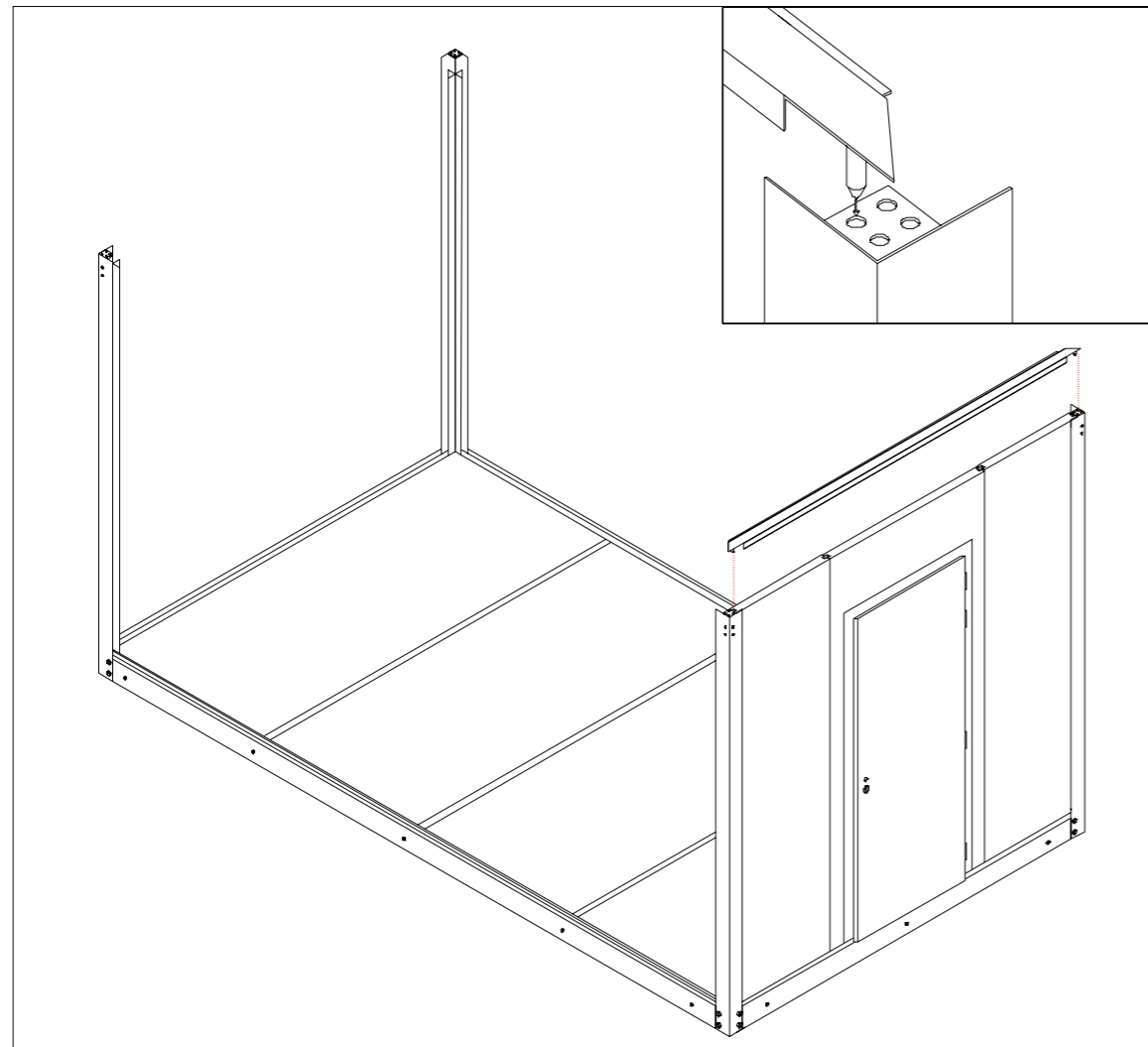
c. Screw in, but don't tighten completely, yet. You are now ready to insert the wall panels. Note that full size panels, including the window and door panels, are displaceable so you can place the window and door panels wherever you want...

d. Line up the wall panels into the groove and slide into position, repeat this with the remaining wall panels

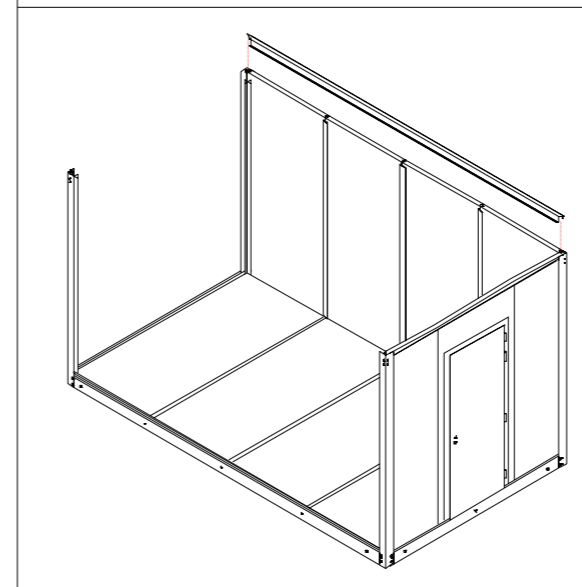


e. Insert a joining strip at the top of the 2 joining panels and then pull all of the way down into position.

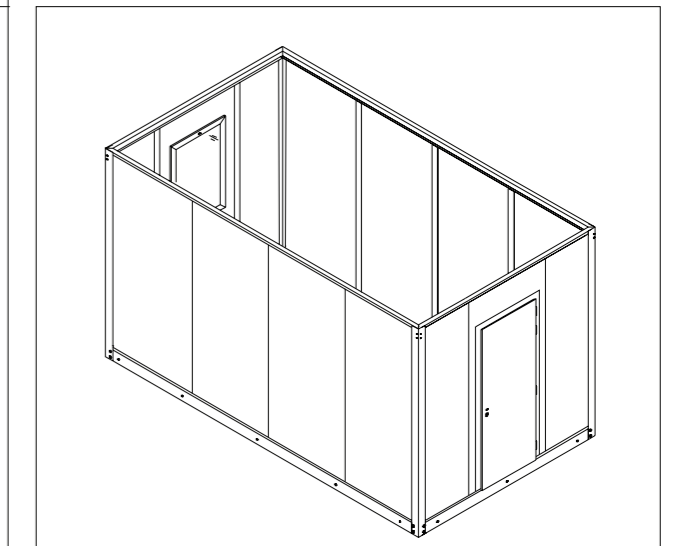
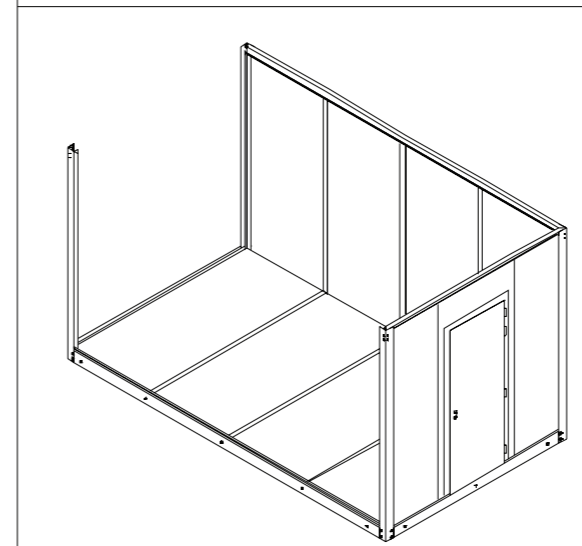
f. The ceiling retention bars fit on top of the wall panels, fixing into their fixing holes at each corner, check that the panels are firmly in position to make sure that the holes line up for easy fitting of the retention bars.



g. Continue this procedure for the remaining panels, including the door and window panels.

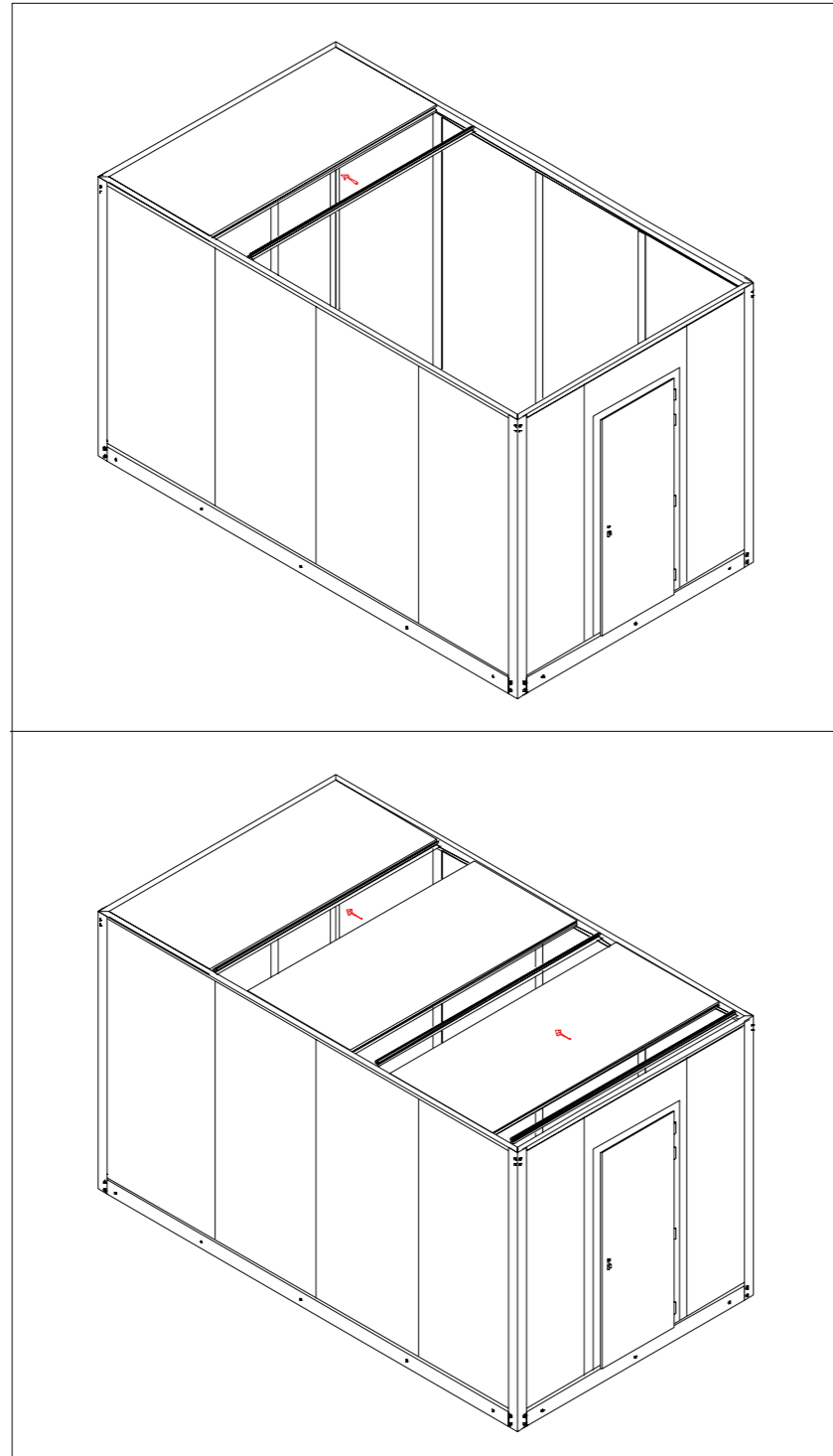


h. Now that all of the wall, door and window panels are in place.



### 3. Roof Fitting - Ceiling Panels

a. Lift the panels into position, onto the the ceiling retention bars retaining lip.



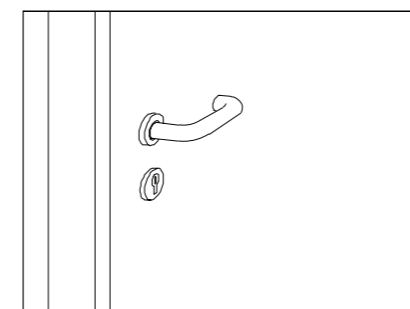
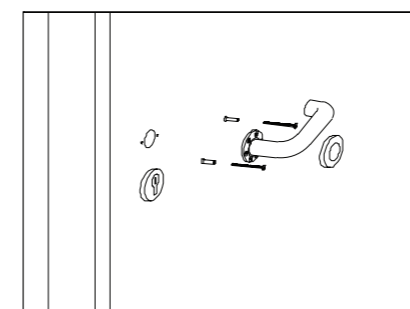
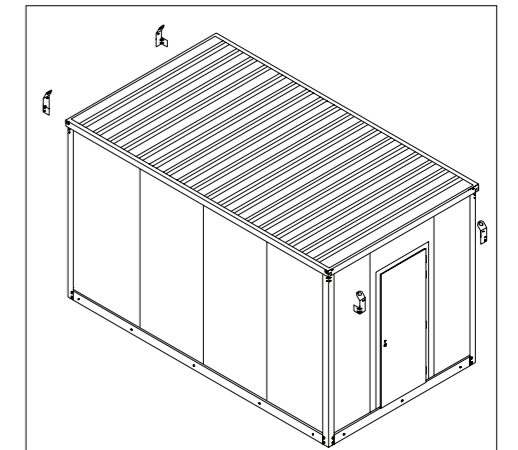
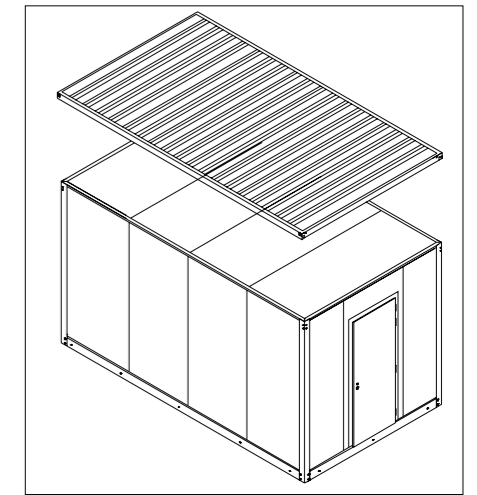
b. Insert the joining strip. Slide the final panel into position.

### 4. Roof Capping and Finishing

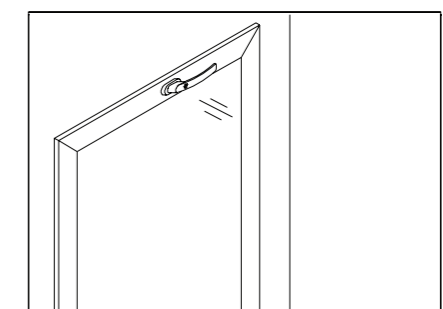
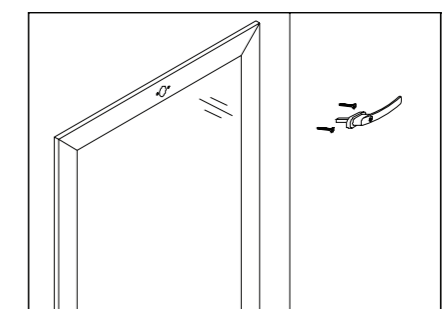
a. The roof is now ready to have the roof cap moved into position

b. Lift the roof cap onto the Kabin and manoeuvre until it clicks into position.

c. Fit the lifting eyes to each corner to hold the roof in situ.

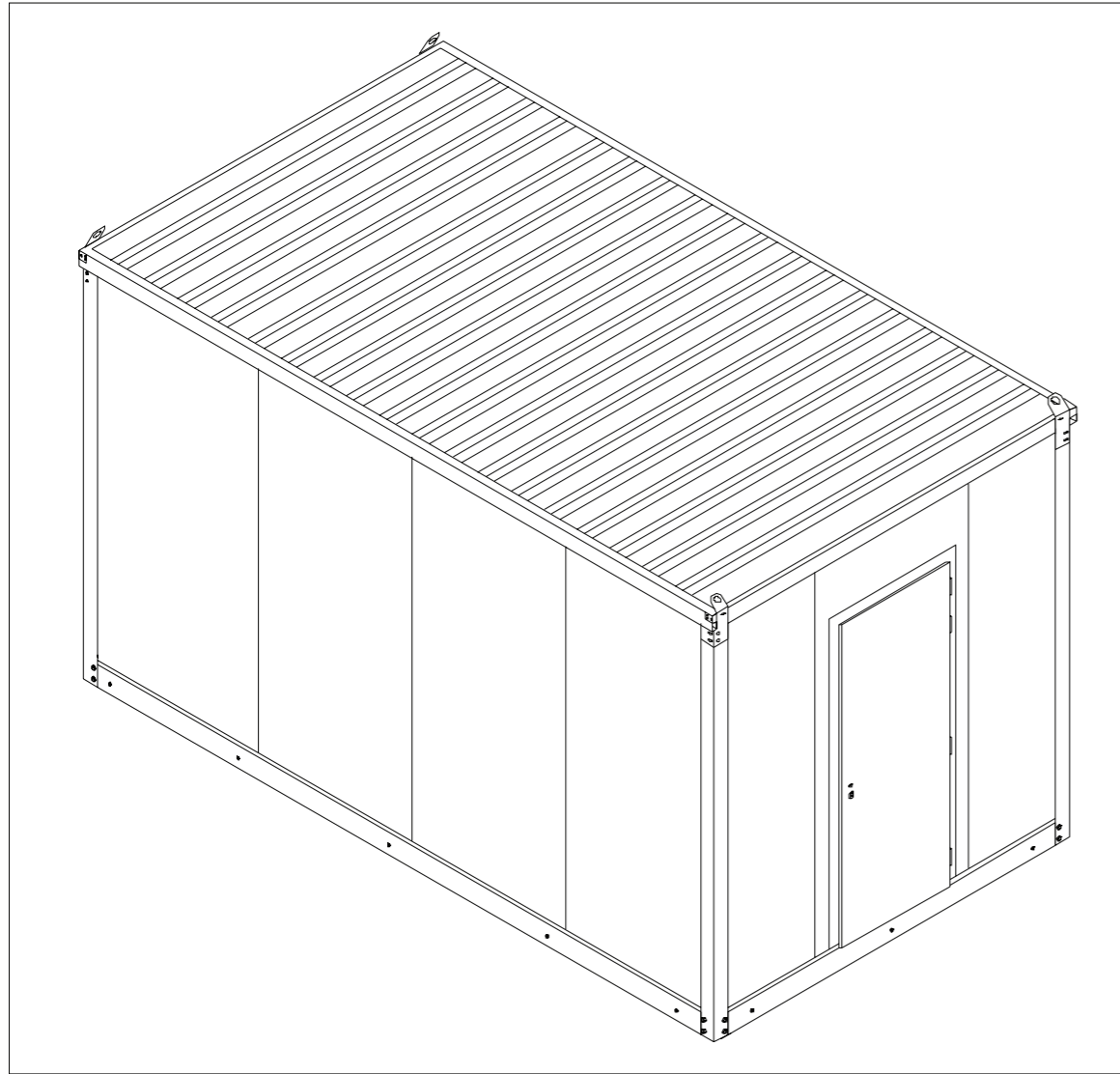


d. Fit the door handle



e. Fit the window handle

## 5. Your Kabin is now ready for use



### Lifting:

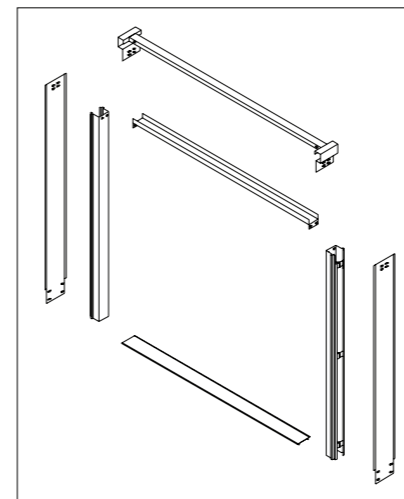
Your assembled Kabin can be lifted by crane using the lifting eyes or by forklift using fork extensions.

## 6. Accessories

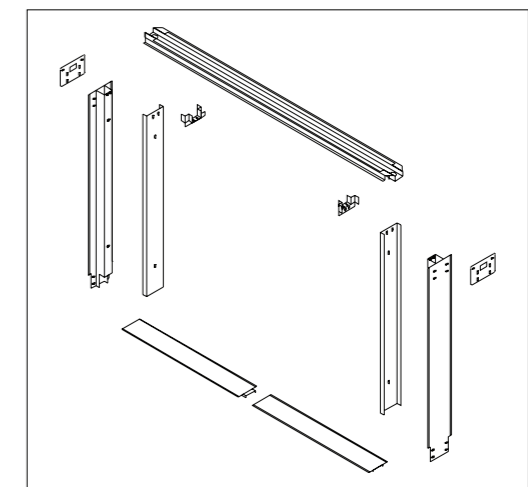


Electric packs, including: heater, light, cabling, fuse box, switches, trucking and sockets.

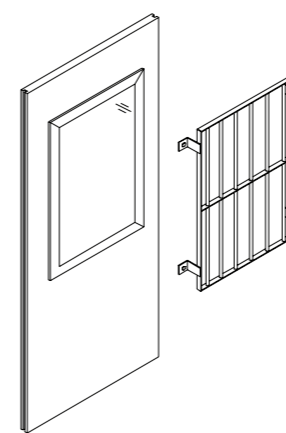
Units can be linked at any time, end to end or side by side to create large areas of accommodation.



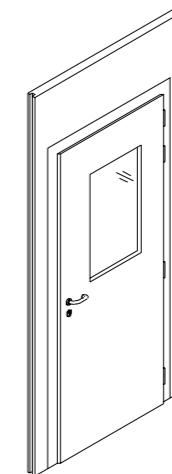
end to end



side by side



window security grille cover



door with glazed window panel

Note: Additional window, door and replacement panels can be ordered at any time.